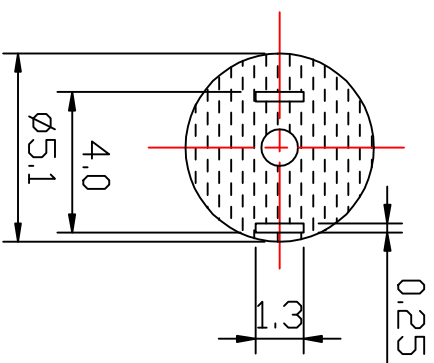
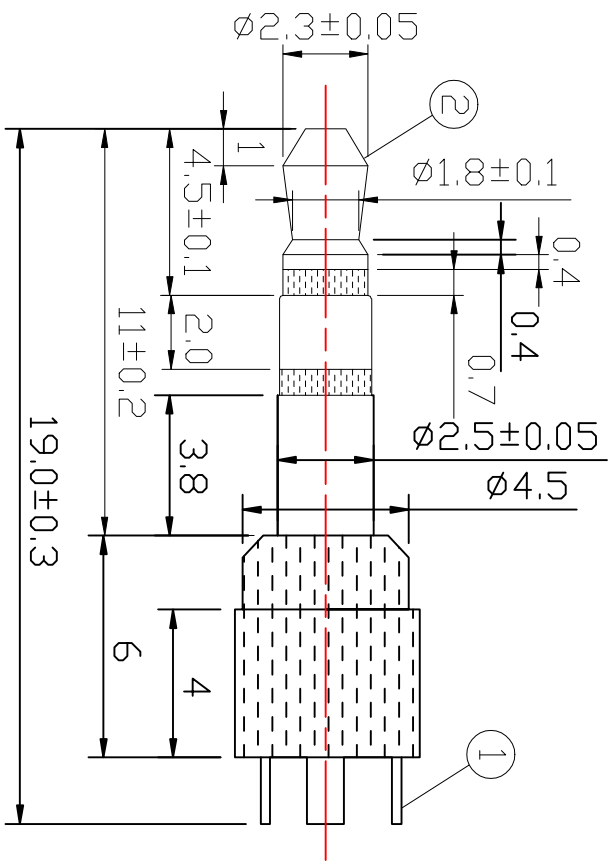


6	7	8	9
版本 REV	修正标记 REV. LTR	修正前 BEFORE REVISION	修正后 AFTER REVISION
V1.0		新版制定	
			签名 SIGN
			日期 DATE
			JUNE



1	2	3	4	5	6	7	8	9	
NO	MATERIAL	DATE	SCALE	UNIT	SIGN	APPO	APPROVED BY	CHECKED BY	
1	BRASS	01/01/2009	4:1	mm					
2	PDM								
3	BLACK								
4	NICKEL								
5	PLATING								
6									
7									
MATERIAL		DATE		SIGN		APPROVED BY		CHECKED BY	
1		01/01/2009							
MATERIAL		SCALE		UNIT		APPO		MARK	
2		4:1		mm					
3									
4									
5									
6									
7									
8									
9									
10									
11									
12									
13									
14									
15									
16									
17									
18									
19									
20									
21									
22									
23									
24									
25									
26									
27									
28									
29									
30									
31									
32									
33									
34									
35									
36									
37									
38									
39									
40									
41									
42									
43									
44									
45									
46									
47									
48									
49									
50									
51									
52									
53									
54									
55									
56									
57									
58									
59									
60									
61									
62									
63									
64									
65									
66									
67									
68									
69									
70									
71									
72									
73									
74									
75									
76									
77									
78									
79									
80									
81									
82									
83									
84									
85									
86									
87									
88									
89									
90									
91									
92									
93									
94									
95									
96									
97									
98									
99									
100									

东莞市茶山无极电子厂  
 TEL: 0769-86100681 FAX: 0769-86100682

DESCRIPTION:  $\phi 2.5 * 5.1 * 19L$

P/N: 2.5 立体组装机

DRAWN NO: WJ-355SP51-190M

EDITION: V1.0